



AP-415

**APPLICATION
NOTE**

**83C51FA/FB
PCA Cookbook**

BETSY JONES
ECO APPLICATIONS ENGINEER

February 1994



Order Number: 270609-002

Information in this document is provided in connection with Intel products. Intel assumes no liability whatsoever, including infringement of any patent or copyright, for sale and use of Intel products except as provided in Intel's Terms and Conditions of Sale for such products.

Intel retains the right to make changes to these specifications at any time, without notice. Microcomputer Products may have minor variations to this specification known as errata.

*Other brands and names are the property of their respective owners.

†Since publication of documents referenced in this document, registration of the Pentium, OverDrive and iCOMP trademarks has been issued to Intel Corporation.

Contact your local Intel sales office or your distributor to obtain the latest specifications before placing your product order.

Copies of documents which have an ordering number and are referenced in this document, or other Intel literature, may be obtained from:

Intel Corporation
P.O. Box 7641
Mt. Prospect, IL 60056-7641
or call 1-800-879-4683

83C51FA/FB PCA COOKBOOK

| CONTENTS | PAGE |
|--|-------------|
| PCA OVERVIEW | 1 |
| PCA TIMER/COUNTER | 1 |
| COMPARE/CAPTURE MODULES | 3 |
| CAPTURE MODE | 5 |
| Measuring Pulse Widths | 5 |
| Measuring Periods | 7 |
| Measuring Frequencies | 7 |
| Measuring Duty Cycles | 9 |
| Measuring Phase Differences | 10 |
| Reading the PCA Timer | 13 |
| COMPARE MODE | 13 |
| SOFTWARE TIMER | 13 |
| HIGH SPEED OUTPUT | 15 |
| WATCHDOG TIMER | 18 |
| PULSE WIDTH MODULATOR | 19 |
| CONCLUSION | 21 |
| APPENDICES | |
| A. Test Routines | A-1 |
| B. Duty Cycle Calculation | B-1 |
| C. Special Function Registers | C-1 |



| FIGURES | PAGE |
|--|-------------|
| 1. PCA Timer/Counter and Compare/ Capture Modules | 1 |
| 2. PCA Interrupt | 4 |
| 3. PCA Capture Mode | 5 |
| 4. Measuring Pulse Width | 5 |
| 5. Measuring Period | 7 |
| 6. Measuring Frequency | 7 |
| 7. Measuring Duty Cycle | 9 |
| 8. Measuring Phase Differences | 10 |
| 9. Software Timer Mode | 13 |
| 10. High Speed Output Mode | 15 |
| 11. Watchdog Timer Mode | 18 |
| 12. PWM Mode | 19 |
| 13. CCAPnH Varies Duty Cycle | 20 |

| LISTINGS | PAGE |
|---|-------------|
| 1. Measuring Pulse Widths | 6 |
| 2. Measuring Frequencies | 8 |
| 3. Measuring Duty Cycle | 9 |
| 4. Measuring Phase Differences | 11 |
| 5. Software Timer | 14 |
| 6. High Speed Output (Without Interrupt) | 15 |
| 7. High Speed Output (With Interrupt) | 16 |
| 8. High Speed Output (Single Pulse) | 17 |
| 9. Watchdog Timer | 19 |
| 10. PWM | 21 |

| TABLES | PAGE |
|--------------------------------------|-------------|
| 1. PCA Timer/Counter Inputs | 2 |
| 2. CMOD Values | 2 |
| 3. Compare/Capture Mode Values | 3 |
| 4. PWM Frequencies | 20 |



This application note illustrates the different functions of the Programmable Counter Array (PCA) which are available on the 83C51FA and 83C51FB. Included are cookbook samples of code in typical applications to simplify the use of the PCA. Since all the examples are written in assembly language, it is assumed the reader is familiar with ASM51. For further information on these products or ASM51 refer to the Embedded Controller Handbook (Vol. I).

PCA OVERVIEW

The major new feature on the 83C51FA and 83C51FB is the Programmable Counter Array. The PCA provides more timing capabilities with less CPU intervention than the standard timer/counters. Its advantages include reduced software overhead and improved accuracy.

The PCA consists of a dedicated timer/counter which serves as the time base for an array of five compare/capture modules. Figure 1 shows a block diagram of the PCA. Notice that the PCA timer and modules are all 16-bits. If an external event is associated with a module, that function is shared with the corresponding Port 1 pin. If the module is not using the port pin, the pin can still be used for standard I/O.

Each of the five modules can be programmed in any one of the following modes:

- Rising and/or Falling Edge Capture
- Software Timer
- High Speed Output
- Watchdog Timer (Module 4 only)
- Pulse Width Modulator.

All of these modes will be discussed later in detail. However, let's first look at how to set up the PCA timer and modules.

PCA TIMER/COUNTER

The timer/counter for the PCA is a free-running 16-bit timer consisting of registers CH and CL (the high and low bytes of the count values). It is the only timer which can service the PCA. The clock input can be selected from the following four modes:

- oscillator frequency ÷ 12 (Mode 0)
- oscillator frequency ÷ 4 (Mode 1)
- Timer 0 overflows (Mode 2)
- external input on P1.2 (Mode 3)

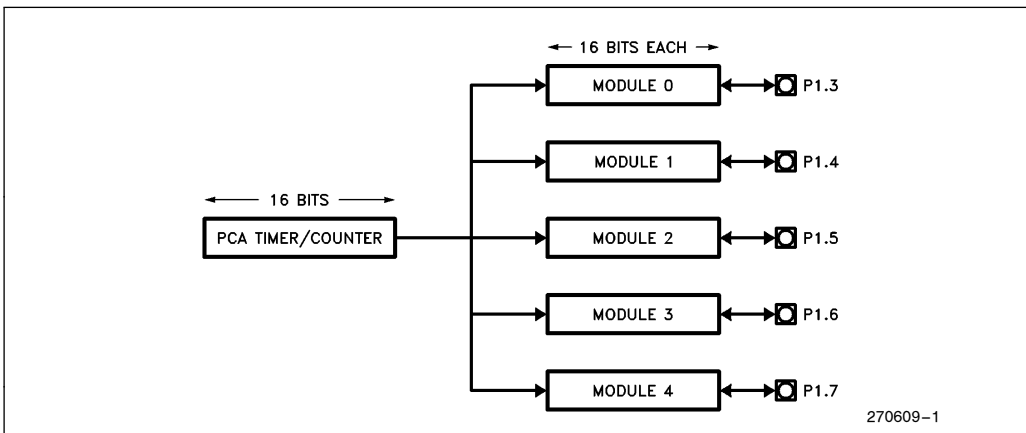


Figure 1. PCA Timer/Counter and Compare/Capture Modules





The table below summarizes the various clock inputs for each mode at two common frequencies. In Mode 0, the clock input is simply a machine cycle count, whereas in Mode 1 the input is clocked three times faster. In Mode 2, Timer 0 overflows are counted allowing for a range of slower inputs to the timer. And finally, if the input is external the PCA timer counts 1-to-0 transitions with the maximum clock frequency equal to $\frac{1}{8}$ x oscillator frequency.

Table 1. PCA Timer/Counter Inputs

| PCA Timer/Counter Mode | Clock Increments | |
|--|--------------------|-----------------------|
| | 12 MHz | 16 MHz |
| Mode 0: fosc / 12 | 1 μ sec | 0.75 μ sec |
| Mode 1: fosc / 4 | 330 nsec | 250 nsec |
| Mode 2*: Timer 0 Overflows Timer 0 programmed in: | | |
| 8-bit mode | 256 μ sec | 192 μ sec |
| 16-bit mdoe | 65 msec | 49 msec |
| 8-bit auto-reload | 1 to 255 μ sec | 0.75 to 191 μ sec |
| Mode 3: External Input MAX | 0.66 μ sec | 0.50 μ sec |

*In Mode 2, the overflow interrupt for Timer 0 does not need to be enabled.

Special Function Register CMOD contains the Count Pulse Select bits (CPS1 and CPS0) to specify the PCA timer input. This register also contains the ECF bit which enables an interrupt when the counter overflows. In addition, the user has the option of turning off the PCA timer during Idle Mode by setting the Counter Idle bit (CIDL). This can further reduce power consumption by an additional 30%.

CMOD: Counter Mode Register

| | | | | | | | |
|-------------|-------------|---|---|---|-------------|-------------|------------|
| CIDL | WDTE | — | — | — | CPS1 | CPS0 | ECF |
|-------------|-------------|---|---|---|-------------|-------------|------------|

Address = 0D9H

Reset Value = 00XX X000B

Not Bit Addressable

NOTE:

The user should write 0s to unimplemented bits. These bits may be used in future MCS-51 products to invoke new features, and in that case the inactive value of the new bit will be 0. When read, these bits must be treated as don't-cares.

Table 2 lists the values for CMOD in the four possible timer modes with and without the overflow interrupt enabled. This list assumes that the PCA will be left running during Idle Mode.

Table 2. CMOD Values

| PCA Count Pulse Selected | CMOD value | |
|--------------------------|---------------------------|------------------------|
| | without interrupt enabled | with interrupt enabled |
| Internal clock, Fosc/12 | 00 H | 01 H |
| Internal clock, Fosc/ 4 | 02 H | 03 H |
| Timer 0 overflow | 04H | 05 H |
| External clock at P1.2 | 06 H | 07 H |



The CCON register shown below contains the Counter Run bit (CR) which turns the timer on or off. When the PCA timer overflows, the Counter Overflow bit (CF) gets set. CCON also contains the five event flags for the PCA modules. The purpose of these flags will be discussed in the next section.

CCON: Counter Control Register

| | | | | | | | |
|----|----|---|------|------|------|------|------|
| CF | CR | — | CCF4 | CCF3 | CCF2 | CCF1 | CCF0 |
|----|----|---|------|------|------|------|------|

Address = 0D8H

Reset Value = 00X0 0000B

Bit Addressable

The PCA timer registers (CH and CL) can be read and written to at any time. However, to read the full 16-bit timer value simultaneously requires using one of the PCA modules in the capture mode and toggling a port pin in software. More information on reading the PCA timer is provided in the section on the Capture Mode.

COMPARE/CAPTURE MODULES

Each of the five compare/capture modules has a mode register called CCAPMn (n = 0,1,2,3,or 4) to select which function it will perform. Note the ECCFn bit which enables an interrupt to occur when a module's event flag is set.

CCAPMn: Compare/Capture Mode Register

| | | | | | | | |
|---|-------|-------|-------|------|------|------|-------|
| — | ECOMn | CAPPn | CAPNn | MATn | TOGn | PWMn | ECCFn |
|---|-------|-------|-------|------|------|------|-------|

Address = 0DAH (n=0)

Reset Value = X000 0000B

0DBH (n=1)

0DCH (n=2)

0DDH (n=3)

0DEH (n=4)

Table 3 lists the CCAPMn values for each different mode with and without the PCA interrupt enabled; that is, the interrupt is optional for all modes. However, some of the PCA modes require software servicing. For example, the Capture modes need an interrupt so that back-to-back events can be recognized. Also, in most applications the purpose of the Software Timer mode is to generate interrupts in software so it would be useless not to have the interrupt enabled. The PWM mode, on the other hand, does not require CPU intervention so the interrupt is normally not enabled.

Table 3. Compare/Capture Mode Values

| Module Function | CCAPMn Value | |
|-----------------------|---------------------------|------------------------|
| | without interrupt enabled | with interrupt enabled |
| Capture Positive only | 20H | 21 H |
| Capture Negative only | 10H | 11 H |
| Capture Pos. or Neg. | 30H | 31 H |
| Software Timer | 48H | 49 H |
| High Speed Output | 4C H | 4D H |
| Watchdog Timer | 48 or 4C H | — |
| Pulse Width Modulator | 42 H | 43H |



It should be mentioned that a particular module can change modes within the program. For example, a module might be used to sample incoming data. Initially it could be set up to capture a falling edge transition. Then the same module can be reconfigured as a software timer to interrupt the CPU at regular intervals and sample the pin.

Each module also has a pair of 8-bit compare/capture registers (CCAPnH, CCAPnL) associated with it. These registers are used to store the time when a capture event occurred or when a compare event should occur. Remember, event times are based on the free-running PCA timer (CH and CL). For the PWM mode, the high byte register CCAPnH controls the duty cycle of the waveform.

When an event occurs, a flag in CCON is set for the appropriate module. This register is bit addressable so that event flags can be checked individually.

CCON: Counter Control Register

| | | | | | | | |
|----|----|---|------|------|------|------|------|
| CF | CR | — | CCF4 | CCF3 | CCF2 | CCF1 | CCF0 |
|----|----|---|------|------|------|------|------|

Address = 0D8H

Reset Value = 00X0 0000B

Bit Addressable

These five event flags plus the PCA timer overflow flag share an interrupt vector as shown below. These flags are not cleared when the hardware vectors to the PCA interrupt address (0033H) so that the user can determine which event caused the interrupt. This also allows the user to define the priority of servicing each module.

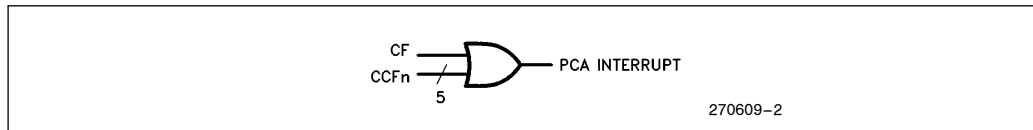


Figure 2. PCA Interrupt

An additional bit was added to the Interrupt Enable (IE) register for the PCA interrupt. Similarly, a high priority bit was added to the Interrupt Priority (IP) register.

IE: Interrupt Enable Register

| | | | | | | | |
|----|----|-----|----|-----|-----|-----|-----|
| EA | EC | ET2 | ES | ET1 | EX1 | ET0 | EX0 |
|----|----|-----|----|-----|-----|-----|-----|

Address = 0A8H

Reset Value = 0000 0000B

Bit Addressable

IP: Interrupt Priority Register

| | | | | | | | |
|---|-----|-----|----|-----|-----|-----|-----|
| — | PPC | PT2 | PS | PT1 | PX1 | PT0 | PX0 |
|---|-----|-----|----|-----|-----|-----|-----|

Address = 0B8H

Reset Value = X000 0000B

Bit Addressable

Remember, each of the six possible sources for the PCA interrupt must be individually enabled as well—in the CCAPMn register for the modules and in the CCON register for the timer.



CAPTURE MODE

Both positive and negative transitions can trigger a capture with the PCA. This allows the PCA flexibility to measure periods, pulse widths, duty cycles, and phase differences on up to five separate inputs. This section gives examples of all these different applications.

Figure 3 shows how the PCA handles a capture event. Using Module 0 for this example, the signal is input to P1.3. When a transition is detected on that pin, the 16-bit value of the PCA timer (CH,CL) is loaded into the capture registers (CCAP0H,CCAP0L). Module 0's event flag is set and an interrupt is flagged. The interrupt will then be generated if it has been properly enabled.

In the interrupt service routine, the 16-bit capture value must be saved in RAM before the next event capture occurs; a subsequent capture will write over the first capture value. Also, since the hardware does not clear the event flag, it must be cleared in software.

The time it takes to service this interrupt routine determines the resolution of back-to-back events with the same PCA module. To store two 8-bit registers and clear the event flag takes at least 9 machine cycles. That includes the call to the interrupt routine. At 12 MHz, this routine would take less than 10 microseconds. However, depending on the frequency and interrupt latency, the resolution will vary with each application.

Measuring Pulse Widths

To measure the pulse width of a signal, the PCA module must capture both rising and falling edges (see Figure 4). The module can be programmed to capture either edge if it is known which edge will occur first. However, if this is not known, the user can select which edge will trigger the first capture by choosing the proper mode for the module.

Listing 1 shows an example of measuring pulse widths. (It's assumed the incoming signal matches the one in Figure 4.) In the interrupt routine the first set of capture values are stored in RAM. After the second capture, a subtraction routine calculates the pulse width in units of PCA timer ticks. Note that the subtraction does not have to be completed in the interrupt service routine. Also, this example assumes that the two capture events will occur within 2^{16} counts of the PCA timer, i.e. rollovers of the PCA timer are not counted.

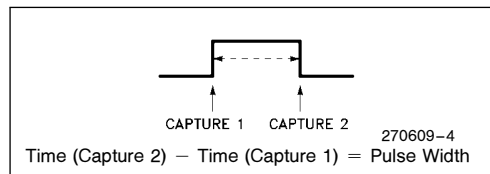


Figure 4. Measuring Pulse Width

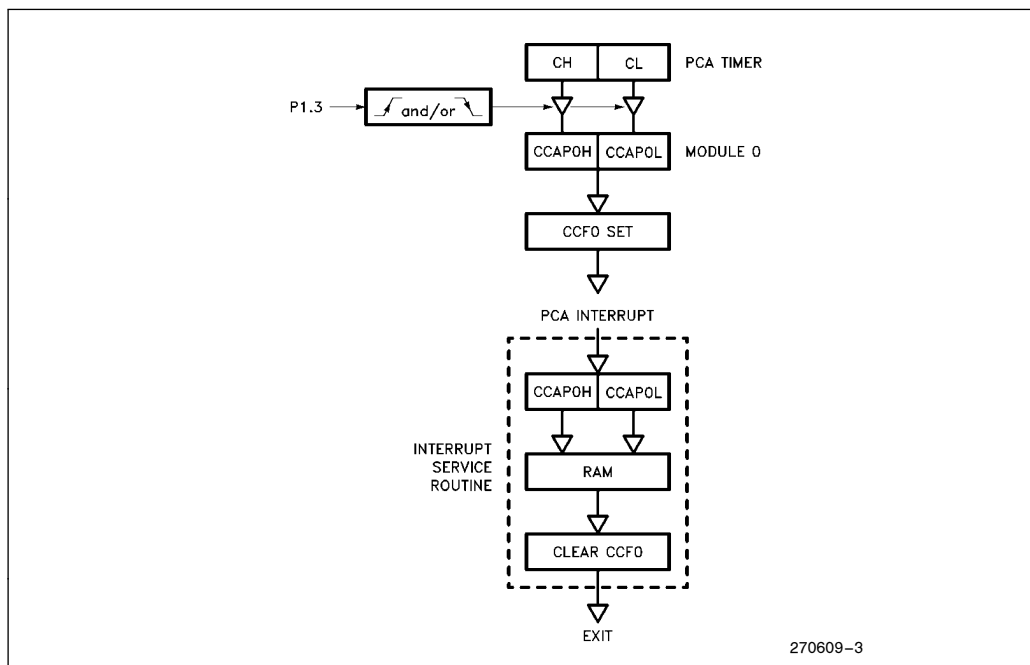


Figure 3. PCA Capture Mode (Module 0)

Listing 1. Measuring Pulse Widths

```

; RAM locations to store capture values
  CAPTURE      DATA    30H
  PULSE_WIDTH  DATA    32H
  FLAG         BIT      20H.0
;
ORG 0000H
JMP PCA_INIT
ORG 0033H
JMP PCA_INTERRUPT
;
PCA_INIT:                ; Initialize PCA timer
  MOV CMOD, #00H        ; Input to timer = 1/12 X Fosc
  MOV CH, #00H
  MOV CL, #00H
;
; Initialize Module 0 in capture mode
  MOV CCAPMO, #21H      ; Capture positive edge first
                          ; for measuring pulse width
;
; Enable PCA interrupt
  SETB EC
  SETB EA
  SETB CR                ; Turn PCA timer on
  CLR FLAG               ; clear test flag
;
; *****
;                               Main program goes here
; *****
;
; This example assumes Module 0 is the only PCA module
; being used. If other modules are used, software must
; check which module's event caused the interrupt.
;
PCA_INTERRUPT:
  CLR CCFO                ; Clear Module 0's event flag
  JB FLAG, SECOND_CAPTURE ; Check if this is the first
                          ; capture or second
FIRST_CAPTURE:
  MOV CAPTURE, CCAPOL     ; Save 16-bit capture value
  MOV CAPTURE+1, CCAPOH   ; in RAM
  MOV CCAPMO, #11H       ; Change module to now capture
                          ; falling edges
  SETB FLAG               ; Signify 1st capture complete
  RETI
;
SECOND_CAPTURE:
  PUSH ACC
  PUSH PSW
  CLR C
  MOV A, CCAPOL           ; 16-bit subtract
  SUBB A, CAPTURE
  MOV PULSE_WIDTH, A     ; 16-bit result stored in
  MOV A, CCAPOH           ; two 8-bit RAM locations
  SUBB A, CAPTURE+1
  MOV PULSE_WIDTH+1, A
;
  MOV CCAPMO, #21H       ; Optional--needed if user wants to
  CLR FLAG               ; measure next pulse width
  POP PSW
  POP ACC
  RETI

```

Measuring Periods

Measuring the period of a signal with the PCA is similar to measuring the pulse width. The only difference will be the trigger source for the capture mode. In Figure 5, rising edges are captured to calculate the period. The code is identical to Listing 1 except that the capture mode should not be changed in the interrupt routine. The result of the subtraction will be the period.

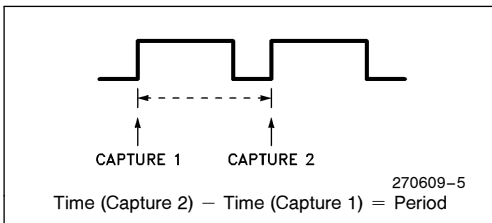


Figure 5. Measuring Period

Measuring Frequencies

Measuring a frequency with the PCA capture mode involves calculating a sample time for a known number of samples. In Figure 6, the time between the first capture and the “Nth” capture equals the sample time T. Listing 2 shows the code for N = 10 samples. It’s assumed that the sample time is less than 2¹⁶ counts of the PCA timer.

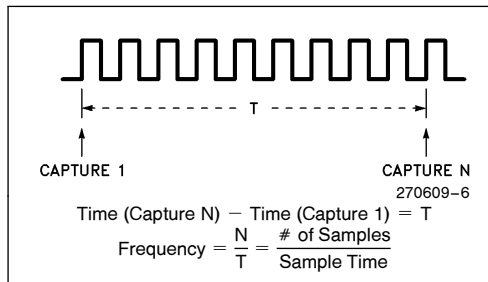


Figure 6. Measuring Frequency

Listing 2. Measuring Frequencies

```

; RAM locations to store capture values
CAPTURE      DATA      30H
PERIOD       DATA      32H
SAMPLE_COUNT DATA      34H
FLAG         BIT        20H.0
;
ORG 0000H
JMP PCA_INIT
ORG 0033H
JMP PCA_INTERRUPT
;
PCA_INIT:
; Initialization of PCA timer, Module 0, and interrupt is the
; same as in Listing 1. Also need to initialize the sample
; count.
;
    MOV SAMPLE_COUNT, #10D    ; N = 10 for this example
;
;*****
;                               Main program goes here
;*****
;
; This code assumes only Module 0 is being used.
PCA_INTERRUPT:
    CLR CCFO                ; Clear module 0's event flag
    JB FLAG, NEXT_CAPTURE
;
FIRST_CAPTURE:
    MOV CAPTURE, CCAPOL
    MOV CAPTURE+1, CCAPOH
    SETB FLAG                ; Signify first capture complete
    RETI
;
NEXT_CAPTURE:
    DJNZ SAMPLE_COUNT, EXIT
    PUSH ACC
    PUSH PSW
    CLR C
    MOV A, CCAPOL            ; 16-bit subtraction
    SUBB A, CAPTURE
    MOV PERIOD, A
    MOV A, CCAPOH
    SUBB A, CAPTURE+1
    MOV PERIOD+1, A
    ;
    MOV SAMPLE_COUNT, #10D   ; Reload for next period
    CLR FLAG
    POP PSW
    POP ACC
EXIT:
    RETI

```

The user may instead want to measure frequency by counting pulses for a known sample time. In this case, one module is programmed in the capture mode to count edges (either rising or falling), and a second module is programmed as a software timer to mark the sample time. An example of a software timer is given later. For information on resolution in measuring frequencies, refer to Article Reprint AR-517, "Using the 8051 Microcontroller with Resonant Transducers," in the Embedded Controller Handbook.

Measuring Duty Cycles

To measure the duty cycle of an incoming signal, both rising and falling edges need to be captured. Then the duty cycle must be calculated based on three capture values as seen in Figure 7. The same initialization routine is used from the previous example. Only the PCA interrupt service routine is given in Listing 3.

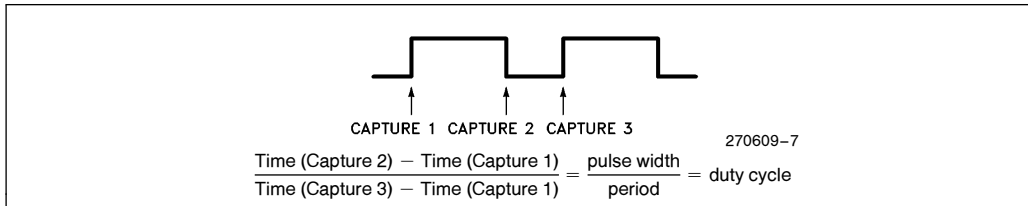


Figure 7. Measuring Duty Cycle

Listing 3. Measuring Duty Cycle

```

; RAM locations to store capture values
CAPTURE      DATA    30H
PULSE_WIDTH  DATA    32H
PERIOD       DATA    34H
FLAG_1       BIT      20H.0
FLAG_2       BIT      20H.1
;
ORG 0000H
JMP PCA_INIT
ORG 0033H
JMP PCA_INTERRUPT
;
PCA_INIT:
; Initialization for PCA timer, module, and interrupt the same
; as in Listing 1. Capture positive edge first, then either
; edge.
;
;*****
;                               Main program goes here
;*****
;
; This code assumes only Module 0 is being used.
PCA_INTERRUPT:
    CLR CCFO          ; Clear Module 0's event flag
    JB FLAG_1, SECOND_CAPTURE
;
FIRST_CAPTURE:
    MOV CAPTURE, CCAPOI
    MOV CAPTURE+1, CCAPOH
    SETB FLAG_1      ; Signify first capture complete
    MOV CCAPMO, #31H ; Capture either edge now
    RETI
    
```

Listing 3. Measuring Duty Cycle (Continued)

```

;
SECOND_CAPTURE:
  PUSH ACC
  PUSH PSW
  JB FLAG_2, THIRD_CAPTURE
  CLR C                               ; Calculate pulse width
  MOV A, CCAPOL                       ; 16-bit subtract
  SUBB A, CAPTURE
  MOV PULSE_WIDTH, A
  MOV A, CCAPOH
  SUBB A, CAPTURE+1
  MOV PULSE_WIDTH+1, A
  SETB FLAG_2                         ; Signify second capture complete
  POP PSW
  POP ACC
  RETI
;
THIRD_CAPTURE:
  CLR C                               ; Calculate period
  MOV A, CCAPOL                       ; 16-bit subtract
  SUBB A, CAPTURE
  MOV PERIOD, A
  MOV A, CCAPOH
  SUBB A, CAPTURE+1
  MOV PERIOD+1, A
  MOV CCAPMO, #21H                   ; Optional - reconfigure module to
  CLR FLAG_1                         ; capture positive edges for next
  CLR FLAG_2                         ; cycle
  POP PSW
  POP ACC
  RETI

```

After the third capture, a 16-bit by 16-bit divide routine needs to be executed. This routine is located in Appendix B. Due to its length, it's up to the user whether the divide routine should be completed in the interrupt routine or be called as a subroutine from the main program.

between two or more signals. For this example, two signals are input to Modules 0 and 1 as seen in Figure 8. Both modules are programmed to capture rising edges only. Listing 4 shows the code needed to measure the difference between these two signals. This code does not assume one signal is leading or lagging the other.

Measuring Phase Differences

Because the PCA modules share the same time base, the PCA is useful for measuring the phase difference

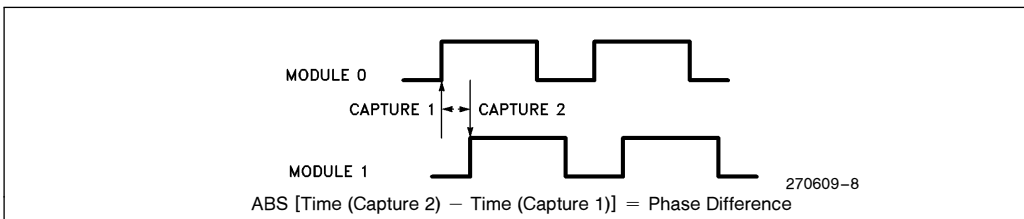


Figure 8. Measuring Phase Differences

Listing 4. Measuring Phase Differences

```

; RAM locations to store capture values
  CAPTURE_0      DATA    30H
  CAPTURE_1      DATA    32H
  PHASE          DATA    34H
  FLAG_0        BIT      20H.0
  FLAG_1        BIT      20H.1
;
ORG 0000H
JMP PCA_INIT
ORG 0033H
JMP PCA_INTERRUPT
;
PCA_INIT:
; Same initialization for PCA timer, and interrupt as
; in Listing 1. Initialize two PCA modules as follows:
;
  MOV CCAPMO, #21H      ; Module 0 capture rising edges
  MOV CCAPM1, #21H     ; Module 1 same
;
;*****
;                               Main program goes here
;*****
; This code assumes only Modules 0 and 1 are being used.
PCA_INTERRUPT:
  JB CCFO, MODULE_0    ; Determine which module's
  JB CCF1, MODULE_1    ; event caused the interrupt
;
MODULE_0:
  CLR CCFO             ; Clear Module 0's event flag
  MOV CAPTURE_0, CCAPOL ; Save 16-bit capture value
  MOV CAPTURE_0+1, CCAPOH
  JB FLAG_1, CALCULATE_PHASE ; If capture complete on
                               ; Module 1, go to calculation
  SETB FLAG_0         ; Signify capture on Module 0
  RETI

```

Listing 4. Measuring Phase Differences (Continued)

```

MODULE_1:
  CLR CCF_1                ; Clear Module 1's event flag
  MOV CAPTURE_1, CCAP1L
  MOV CAPTURE_1+1, CCAP1H
  JB FLAG_0, CALCULATE_PHASE ; If capture complete on
                              ; Module 0, go to calculation
  SETB FLAG_1              ; Signify capture on Module 1
  RETI

;
CALCULATE_PHASE:
  PUSH ACC                 ; This calculation does not
  PUSH PSW                 ; have to be completed in the
  CLR C                    ; interrupt service routine
;
  JB FLAG_0, MODO_LEADING
  JB FLAG_1, MOD1_LEADING
;
MODO_LEADING:
  MOV A, CAPTURE_1
  SUBB A, CAPTURE_0
  MOV PHASE, A
  MOV A, CAPTURE_1+1
  SUBB A, CAPTURE_0+1
  MOV PHASE+1, A
  CLR FLAG_0
  JMP EXIT
;
MOD1_LEADING:
  MOV A, CAPTURE_0
  SUBB A, CAPTURE_1
  MOV PHASE, A
  MOV A, CAPTURE_0+1
  SUBB A, CAPTURE_1+1
  MOV PHASE+1, A
  CLR FLAG_1
EXIT:
  POP PSW
  POP ACC
  RETI

```


Reading the PCA Timer

Some applications may require that the PCA timer be read instantaneously as a real-time event. Since the timer consists of two 8-bit registers (CH,CL), it would normally take two MOV instructions to read the whole timer. An invalid read could occur if the registers rolled over in the middle of the two MOVs.

However, with the capture mode a 16-bit timer value can be loaded into the capture registers by toggling a port pin. For example, configure Module 0 to capture falling edges and initialize P1.3 to be high. Then when the user wants to read the PCA timer, clear P1.3 and the full 16-bit timer value will be saved in the capture registers. It's still optional whether the user wants to generate an interrupt with the capture.

COMPARE MODE

In this mode, the 16-bit value of the PCA timer is compared with a 16-bit value pre-loaded in the module's compare registers. The comparison occurs three times per machine cycle in order to recognize the fastest possible clock input, i.e. $\frac{1}{4}$ x oscillator frequency. When there is a match, one of three events can happen:

- (1) an interrupt — Software Timer mode
- (2) toggle of a port pin — High Speed Output mode
- (3) a reset — Watchdog Timer mode.

Examples of each compare mode will follow.

SOFTWARE TIMER

In most applications a software timer is used to trigger interrupt routines which must occur at periodic intervals. Figure 9 shows the sequence of events for the Software Timer mode. The user preloads a 16-bit value in a module's compare registers. When a match occurs between this compare value and the PCA timer, an event flag is set and an interrupt is flagged. An interrupt is then generated if it has been enabled.

If necessary, a new 16-bit compare value can be loaded into (CCAP0H, CCAP0L) during the interrupt routine. *The user should be aware that the hardware temporarily disables the comparator function while these registers are being updated so that an invalid match will not occur.* That is, a write to the low byte (CCAPn0) disables the comparator while a write to the high byte (CCAPnH) re-enables the comparator. For this reason, user software must write to CCAP0L first, then CCAP0H. The user may also want to hold off any interrupts from occurring while these registers are being updated. This can easily be done by clearing the EA bit. See the code example in Listing 5.

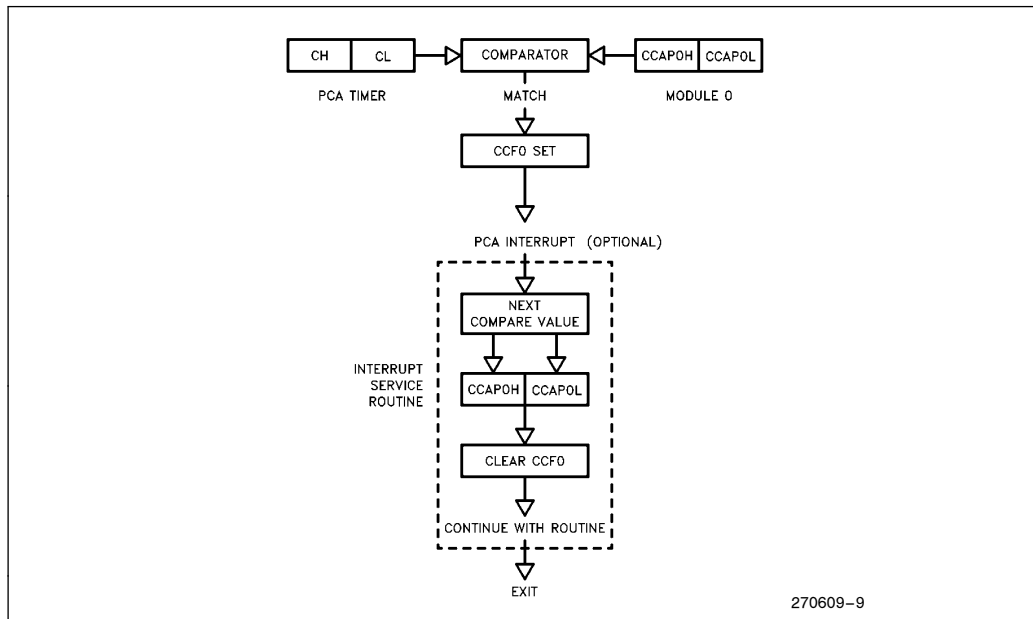


Figure 9. Software Timer Mode (Module 0)

Listing 5. Software Timer

```

; Generate an interrupt in software every 20 msec
;
;
; Frequency      = 12 MHz
; PCA clock input = 1/12 x Fosc → 1 μsec
;
; Calculate reload value for compare registers:
;           20 msec
;           ----- = 20,000 counts
;           1 μsec/count
;
ORG 0000H
JMP PCA_INIT
ORG 0033H
JMP PCA_INTERRUPT
;
PCA_INIT:
; Initialize PCA timer same as in Listing 1
; MOV CCAPMO, #49H      ; Module 0 in Software Timer mode
; MOV CCAPOL, #LOW(20000) ; Write to low byte first
; MOV CCAPOH, #HIGH(20000)
;
; SETB EC              ; Enable PCA interrupt
; SETB EA
; SETB CR              ; Turn on PCA timer
;
; *****
; Main program goes here
; *****
PCA_INTERRUPT:
; Clear Module 0's event flag
CLR CCFO
PUSH ACC
PUSH PSW
CLR EA              ; Hold off interrupts
MOV A, #LOW(20000) ; 16-Bit Add
ADD A, CCAPOL      ; Next match will occur
MOV CCAPOL, A      ; 20,000 counts later
MOV A, #HIGH(20000)
ADDC A, CCAPOH
MOV CCAPOH, A
SETB EA
;
; .
; .
; Continue with routine
; .
; .
POP PSW
POP ACC
RETI

```

HIGH SPEED OUTPUT

The High Speed Output (HSO) mode toggles a port pin when a match occurs between the PCA timer and the pre-loaded value in the compare registers (see Figure 10). The HSO mode is more accurate than toggling pins in software because the toggle occurs *before* branching to an interrupt, i.e. interrupt latency will not effect the accuracy of the output. In fact, the interrupt is optional. Only if the user wants to change the time for the next toggle is it necessary to update the compare registers. Otherwise, the next toggle will occur when the PCA timer rolls over and matches the last compare value. Examples of both are shown.

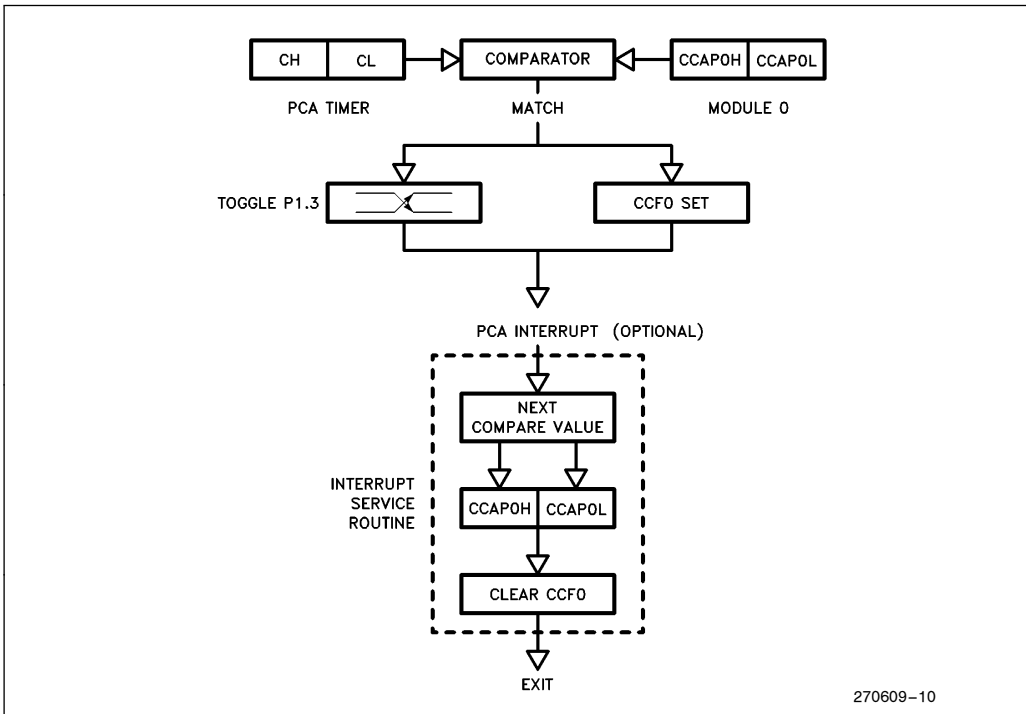


Figure 10. High Speed Output Mode (Module 0)

Without any CPU intervention, the fastest waveform the PCA can generate with the HSO mode is a 30.5 Hz signal at 16 MHz. Refer to Listing 6. By changing the PCA clock input, slower waveforms can also be generated.

Listing 6. High Speed Output (Without Interrupt)

```

; Maximum output with HSO mode without interrupts = 30.5 Hz signal
; Frequency      = 16 MHz
; PCA clock input = 1/4 x Fosc → 250 nsec
;
MOV CMOD, #02H
MOV CL, #00H
MOV CH, #00H
MOV CCAPMO, #4CH    ; HSO mode without interrupt enabled
MOV CCAPOL, #0FFH  ; Write to low byte first
MOV CCAPOH, #0FFH  ; P1.3 will toggle every 216 counts
                    ; or 16.4 msec
                    ; Period = 30.5 Hz
SETB CR            ; Turn on PCA timer
    
```

In this next example, the PCA interrupt is used to change the compare value for each toggle. This way a variable frequency output can be generated. Listing 7 shows an output of 1 KHz at 16 Mhz.

Listing 7. High Speed Output (With Interrupt)

$$\frac{500 \mu\text{sec}}{250 \text{ nsec/count}} = 2000 \text{ counts}$$

270609-11

```

ORG 0000H
JMP PCA_INIT
ORG 0033H
JMP PCA_INTERRUPT
;
PCA_INIT:
MOV CMOD, #02H           ; Clock input = 250 nsec
MOV CL, #00H             ; at 16 Mhz
MOV CH, #00H
MOV CCAPMO, #4DH         ; Module 0 in HSO mode with
MOV CCAPOL, #LOW(1000)   ; PCA interrupt enabled
MOV CCAPOH, #HIGH(1000) ; t = 1000 (arbitrary)
CLR P1.3
;
SETB EC                  ; Enable PCA interrupt
SETB EA
SETB CR                  ; Turn on PCA timer
;
; *****
; Main program goes here
; *****
;
; This code assumes only Module 0 is being used.
PCA_INTERRUPT:
CLR CCFO                  ; Clear Module 0's event flag
PUSH ACC
PUSH PSW
CLR EA                    ; Hold off interrupts
MOV A, #LOW(2000)         ; 16-bit add
ADD A, CCAPOL             ; 2000 counts later, P1.3
MOV CCAPOL, A            ; will toggle
MOV A, #HIGH(2000)
ADDC A, CCAPOH
MOV CCAPOH, A
SETB EA
POP PSW
POP ACC
RETI
    
```

Another option with the HSO mode is to generate a single pulse. Listing 8 shows the code for an output with a pulse width of 20 μsec . As in the previous example, the PCA interrupt will be used to change the time for the toggle. The first toggle will occur at time "t". After 80 counts of the PCA timer, 20 μsec will have expired, and the next toggle will occur. Then the HSO mode will be disabled.

Listing 8. High Speed Output (Single Pulse)

$$\frac{20 \mu\text{sec}}{250 \text{ nsec/count}} = 80 \text{ counts}$$

270609-12

```

ORG 0000H
JMP PCA_INIT
ORG 0033H
JMP PCA_INTERRUPT
;
PCA_INIT:
MOV CMOD, #02H          ; Clock input = 250 nsec
MOV CL, #00H           ; at 16 MHz
MOV CH, #00H
MOV CCAFMO, #4DH       ; Module 0 in HSO mode with
MOV CCAFOL, #LOW(1000) ; PCA interrupt enabled
MOV CCAPOH, #HIGH(1000) ; t = 1000 (arbitrary)
CLR P1.3
;
SETB EC                ; Enable PCA interrupt
SETB EA
SETB CR                ; Turn on PCA timer
;
; *****
; Main program goes here
; *****
;
; This code assumes only Module 0 is being used.
PCA_INTERRUPT:
CLR CCFO               ; Clear Module 0's event flag
JNB P1.3, DONE
;
PUSH ACC
PUSH PSW
CLR EA                 ; Hold off interrupts
MOV A, #LOW(80)        ; 16-bit add
ADD A, CCAFOL          ; 80 counts later, P1.3
MOV CCAFOL, A          ; will toggle
MOV A, #HIGH(80)
ADDC A, CCAPOH
MOV CCAPOH, A
SETB EA
POP PSW
POP ACC
RETI
;
DONE:
MOV CCAFMO, #00H       ; Disable HSO mode
RETI
    
```

WATCHDOG TIMER

An on-board watchdog timer is available with the PCA to improve the reliability of the system without increasing chip count. Watchdog timers are useful for systems which are susceptible to noise, power glitches, or electrostatic discharge. Module 4 is the only PCA module which can be programmed as a watchdog. However, this module can still be used for other modes if the watchdog is not needed.

Figure 11 shows a diagram of how the watchdog works. The user pre-loads a 16-bit value in the compare registers. Just like the other compare modes, this 16-bit value is compared to the PCA timer value. If a match is allowed to occur, an internal reset will be generated. This will not cause the RST pin to be driven high.

In order to hold off the reset, the user has three options:

- (1) periodically change the compare value so it will never match the PCA timer,
- (2) periodically change the PCA timer value so it will never match the compare value, or
- (3) disable the watchdog by clearing the WDTE bit before a match occurs and then re-enable it.

The first two options are more reliable because the watchdog timer is never disabled as in option #3. If the program counter ever goes astray, a match will eventually occur and cause an internal reset. The second option is also not recommended if other PCA modules are being used. Remember, the PCA timer is the time base for *all* modules; changing the time base for other modules would not be a good idea. Thus, in most applications the first solution is the best option.

Listing 9 shows the code for initializing the watchdog timer. Module 4 can be configured in either compare mode, and the WDTE bit in CMOD must also be set. The user's software then must periodically change (CCAP4H,CCAP4L) to keep a match from occurring with the PCA timer (CH,CL). This code is given in the WATCHDOG routine.

This routine should not be part of an interrupt service routine. Why? Because if the program counter goes astray and gets stuck in an infinite loop, interrupts will still be serviced and the watchdog will keep getting reset. Thus, the purpose of the watchdog would be defeated. Instead call this subroutine from the main program within 2^{16} count of the PCA timer.

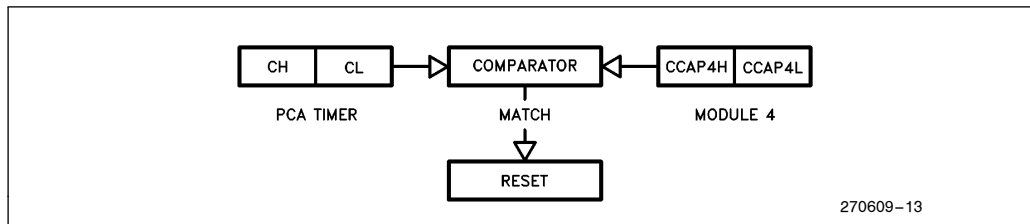


Figure 11. Watchdog Timer Mode (Module 4)



Listing 9. Watchdog Timer

```

INIT_WATCHDOG:
  MOV CCAPM4, #4CH      ; Module 4 in compare mode
  MOV CCAP4L, #OFFH    ; Write to low byte first
  MOV CCAP4H, #OFFH    ; Before PCA timer counts up to
                      ; FFFF Hex, these compare values
                      ; must be changed
  ORL CMOD, #40H       ; Set the WDTE bit to enable the
                      ; watchdog timer without changing
                      ; the other bits in CMOD
;
;*****
;
; Main program goes here, but CALL WATCHDOG periodically.
;
;*****
;
WATCHDOG:
  CLR EA               ; Hold off interrupts
  MOV CCAP4L, #00     ; Next compare value is within
  MOV CCAP4H, CH      ; 255 counts of the current PCA
  SETB EA              ; timer value
  RET

```

PULSE WIDTH MODULATOR

The PCA can generate 8-bit PWMs by comparing the low byte of the PCA timer (CL) with the low byte of the compare registers (CCAPnL). When CL < CCAPnL the output is low. When CL ≥ CCAPnL the output is high.

To control the duty cycle of the output, the user actually loads a value into the high byte CCAPnH (see Figure 12). Since a write to this register is asynchronous, a new value is not shifted into CCAPnL for comparison until

the next period of the output: that is, when CL rolls over from 255 to 00. This mechanism provides “glitch-free” writes to CCAPnH when the duty cycle of the output is changed.

CCAPnH can contain any integer from 0 to 255, but Figure 13 shows a few common duty cycles and the corresponding values for CCAPnH. Note that a 0% duty cycle can be obtained by writing to the port pin directly with the CLR bit instruction. To calculate the CCAPnH value for a given duty cycle, use the following equation:

$$CCAPnH = 256 (1 - \text{Duty Cycle})$$

where CCAPnH is an 8-bit integer and Duty Cycle is expressed as a fraction.

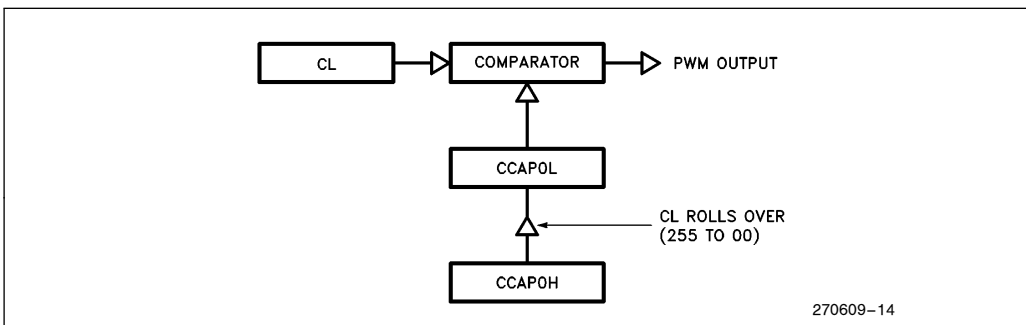


Figure 12. PWM Mode (Module 0)

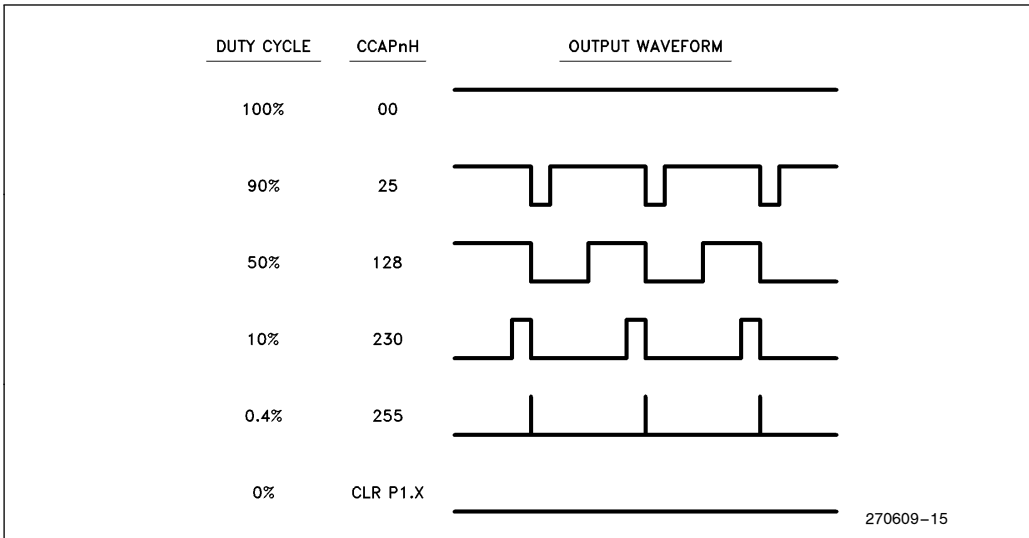


Figure 13. CCAPnH Varies Duty Cycle

Table 4. PWM Frequencies.

| PCA Timer Mode | PWM Frequency | |
|----------------------|--------------------|--------------------|
| | 12 MHz | 16 MHz |
| 1/12 Osc. Frequency | 3.9 KHz | 5.2 KHz |
| 1/4 Osc. Frequency | 11.8 KHz | 15.6 KHz |
| Timer 0 Overflow: | | |
| 8-bit | 15.5 Hz | 20.3 Hz |
| 16-bit | 0.06 Hz | 0.08 Hz |
| 8-bit Auto-Reload | 3.9 KHz to 15.3 Hz | 5.2 KHz to 20.3 Hz |
| External Input (Max) | 5.9 KHz | 7.8 KHz |



Listing 10. PWM

```
INIT-PWM:
  SETB P1.3           ; For alternate function
  MOV CMOD, #02H      ; Clock input = 250 nsec at 16 MHz
  MOV CL, #00H        ; Frequency of output = 15.6 KHz
  MOV CH, #00H
  MOV CCAPM0, #42H    ; Module 0 in PWM mode
  MOV CCAPOL, #00H
  MOV CCAPOH, #128D   ; 50 percent duty cycle
;
  SETB CR             ; Turn on PCA timer
```

The frequency of the PWM output will depend on which of the four inputs is chosen for the PCA timer. The maximum frequency is 15.6 KHz at 16 MHz. Refer to Table 4 for a summary of the different PWM frequencies possible with the PCA.

Listing 10 shows how to initialize Module 0 for a PWM signal at 50% duty cycle. Notice that no PCA interrupt is needed to generate the PWM (i.e. no software overhead!). To create a PWM output on the 8051 requires a hardware timer plus software overhead to toggle the port pin. The advantage of the PCA is obvious, not to mention it can support up to 5 PWM outputs with just one chip.

CONCLUSION

This list of examples with the PCA is by no means exhaustive. However, the advantages of the PCA can easily be seen from the given applications. For example, the PCA can provide better resolution than Timers 0, 1 and 2 because the PCA clock rate can be three times faster. The PCA can also perform many tasks that these hardware timers can not, i.e. measure phase differences between signals or generate PWMs. In a sense, the PCA provides the user with five more timer/counters in addition to Timers 0, 1 and 2 on the 8XC51FA/FB.

Appendix A includes test routines for all the software examples in this application note. The divide routine for calculating duty cycles is in Appendix B. And finally, Appendix C is a table of the Special Function Registers for the 8XC51FA/FB with the new or modified registers **boldfaced**.

APPENDIX A TEST ROUTINES

```

;           Listing 1a - Measuring Pulse Widths

$nomod51
$nosymbols
$no1ist
#include (reg252.pdf)
$list
;
;           Variables
;
CAPTURE          DATA      30H
PULSE_WIDTH      DATA      32H
FLAG             BIT        20H.0
;
ORG 0000H
JMP PCA_INIT
;
ORG 0033H
JMP PCA_INTERRUPT
;
;           Initialize PCA timer
PCA_INIT:        MOV CMOD, #00H          ; Input to PCA timer = 1/12 x Fosc
                MOV CH, #00
                MOV CL, #00
;
;           Initialize Module 0 in capture mode
                MOV CCAPM0, #21H        ; Capture positive edge first on P1.3
                MOV CCAP0H, #00
                MOV CCAP0L, #00
;
                SETB EC                  ; Enable PCA interrupt
                SETB EA
                SETB CR                  ; Turn PCA timer on
                CLR FLAG                 ; Clear test flag
;
;-----
;           Test program only
;-----
WAIT:           JMP $                    ; Wait for PCA interrupt
                JMP WAIT
;-----
;           This code assumes Module 0 is the only module being used. If
;           other PCA module's are being used, software must check which
;           module's event flag caused the interrupt.
;
PCA_INTERRUPT:  CLR CCF0                 ; Clear module 0's event flag
                JB FLAG, SECOND_CAPTURE
;
FIRST_CAPTURE: MOV CAPTURE, CCAP0L
                MOV CAPTURE+1, CCAP0H
    
```

270609-16

```
        MOV CCAPM0, #11H          ; Change module to now capture
        SETB FLAG                 ; falling edges
        RETI                      ; Signify first capture complete
;
SECOND_CAPTURE:
        PUSH ACC
        PUSH PSW
        CLR C
        MOV A, CCAP0L             ; 16-bit subtract
        SUBB A, CAPTURE
        MOV PULSE_WIDTH, A
        MOV A, CCAP0H
        SUBB A, CAPTURE+1
        MOV PULSE_WIDTH+1, A
;
        MOV CCAPM0, #21H         ; Optional if user wants to measure
        CLR FLAG                 ; next pulse width
        POP PSW
        POP ACC
        RETI
;
END
```

270609-17



```

;          Listing 1b - Measuring Periods
;
;
$nomod51
$nosymbols
$noist
$include (reg252.pdf)
$iist
;
;          Variables
;
CAPTURE      DATA      30H
PERIOD       DATA      32H
FLAG         BIT         20H.0
;
ORG 0000H
JMP PCA_INIT
;
ORG 0033H
JMP PCA_INTERRUPT
;
;          Initialize PCA timer
PCA_INIT:    MOV CMOD, #00H          ; Input to timer = 1/12 x Fosc
             MOV CH, #00H
             MOV CL, #00
;
;          Initialize Module 0 in capture mode
             MOV CCAPM0, #21H      ; Capture rising edges on P1.3
             MOV CCAP0H, #00
             MOV CCAP0L, #00
;
             SETB EC                ; Enable PCA interrupt
             SETB EA
             SETB CR                ; Turn PCA timer on
             CLR FLAG               ; Clear test flag
;
;-----
;          Test program only
;-----
WAIT:        JMP $                  ; Wait for PCA interrupt
             JMP WAIT
;-----
;
;          This code assumes only Module 0 is being used. If other modules
;          are being used, software must check which module's flag caused
;          the interrupt.
;
PCA_INTERRUPT:
             CLR CCF0                ; Clear module 0's event flag
             JB FLAG, SECOND_CAPTURE
;
FIRST_CAPTURE:
             MOV CAPTURE, CCAP0L
             MOV CAPTURE+1, CCAP0H
    
```

270609-18

```
        SETB FLAG                ; Signify first capture complete
        RETI
;
SECOND_CAPTURE:
        PUSH ACC
        PUSH PSW
        CLR C
        MOV A, CCAP0L            ; 16-Bit subtraction
        SUBB A, CAPTURE
        MOV PERIOD, A
        MOV A, CCAP0H
        SUBB A, CAPTURE+1
        MOV PERIOD+1, A
;
        CLR FLAG
        POP PSW
        POP ACC
        RETI
;
END
```

270609-19

```

;
; Listing 2 - Measuring Frequencies
;
;
;nomod51
;nosymbols
;nolist
#include (reg252.pdf)
$list
;
; Variables
;
;
CAPTURE          DATA      30H
PERIOD           DATA      32H
SAMPLE_COUNT     DATA      34H
FLAG             BIT        20H.0
;
;
ORG 0000H
JMP PCA_INIT
;
ORG 0033H
JMP PCA_INTERRUPT
;
; Initialize PCA timer
PCA_INIT:        MOV CMOD, #00H          ; Input to PCA timer = 1/12 x Fosc
                MOV CH, #00
                MOV CL, #00
;
; Initialize Module 0 in capture mode
                MOV CCAPM0, #21H        ; Capture positive edges on P1.3
                MOV CCAP0H, #00
                MOV CCAP0L, #00
;
                MOV SAMPLE_COUNT, #10D ; N = 10 for this example
;
                SETB EC                 ; Enable PCA interrupt
                SETB EA
                SETB CR                 ; Turn PCA timer on
                CLR FLAG                ; Test flag
;
;-----
;
; Test program only
;
WAIT:           JMP $                   ; Wait for PCA interrupt
                JMP WAIT
;-----
;
; This code assumes only Module 0 is being used.
;
PCA_INTERRUPT:  CLR CCF0                ; Clear module 0's event flag
                JB FLAG, NEXT_CAPTURE
;
;

```

270609-20

```
FIRST_CAPTURE:
    MOV CAPTURE, CCAP0L
    MOV CAPTURE+1, CCAP0H
    SETB FLAG                ; Signify first capture complete
    RETI
;
NEXT_CAPTURE:
    DJNZ SAMPLE_COUNT, EXIT
    PUSH ACC
    PUSH PSW
    CLR C
    MOV A, CCAP0L            ; 16-Bit subtraction
    SUBB A, CAPTURE
    MOV PERIOD, A
    MOV A, CCAP0H
    SUBB A, CAPTURE+1
    MOV PERIOD+1, A
;
    MOV SAMPLE_COUNT, #10D   ; Reload for next capture
    CLR FLAG
    POP PSW
    POP ACC
EXIT:
    RETI
END
```

270609-21




```

;
;           Listing 3 - Measuring Duty Cycle
;
;
$nomod51
$nosymbols
$nolist
#include (reg252.pdf)
$list
;
;           Variables
;
CAPTURE          DATA      30H
PULSE_WIDTH      DATA      32H
PERIOD           DATA      34H
;
FLAG_1           BIT        20H.0
FLAG_2           BIT        20H.1
;
ORG 0000H
JMP PCA_INIT
;
ORG 0033H
JMP PCA_INTERRUPT
;
;           Initialize PCA timer
PCA_INIT:        MOV CMOD, #00H          ; Input to PCA timer = 1/12 x Fosc
                MOV CH, #00
                MOV CL, #00
;
;           Initialize Module 0 in capture mode
                MOV CCAPM0, #21H        ; Capture positive edge first on P1.3
                MOV CCAP0H, #00
                MOV CCAP0L, #00
;
                CLR FLAG_1              ; Clear test flags
                CLR FLAG_2
;
                SETB EC                  ; Enable PCA interrupt
                SETB EA
                SETB CR                  ; Turn PCA timer on
;
;-----
;           Test program only
;-----
WAIT:           JMP $                    ; Wait for PCA interrupt
                JMP WAIT
;-----
;
;           This code assumes Module 0 is the only PCA module being used.
;
PCA_INTERRUPT:  CLR CCF0                ; Clear module 0's event flag
                JB FLAG_1, SECOND_CAPTURE
;

```

270609-22

```

FIRST_CAPTURE:
    MOV CAPTURE, CCAP0L
    MOV CAPTURE+1, CCAP0H
    SETB FLAG_1                ; Signify first capture complete
    MOV CCAPM0, #31H          ; Capture either edge now
    RETI
;
SECOND_CAPTURE:
    PUSH ACC
    PUSH PSW
    JB FLAG_2, THIRD_CAPTURE
    CLR C                      ; Calculate pulse width
    MOV A, CCAP0L             ; 16-bit subtract
    SUBB A, CAPTURE
    MOV PULSE_WIDTH, A
    MOV A, CCAP0H
    SUBB A, CAPTURE+1
    MOV PULSE_WIDTH+1, A
;
    SETB FLAG_2                ; Signify second capture complete
    POP PSW
    POP ACC
    RETI
;
THIRD_CAPTURE:
    CLR C                      ; Calculate period
    MOV A, CCAP0L             ; 16-bit subtract
    SUBB A, CAPTURE
    MOV PERIOD, A
    MOV A, CCAP0H
    SUBB A, CAPTURE+1
    MOV PERIOD+1, A
;
    MOV CCAPM0, #21H          ; Optional- reconfigure module to
    CLR FLAG_1                ; capture positive edges for
    CLR FLAG_2                ; next cycle
    POP PSW
    POP ACC
    RETI
;
END

```

270609-23

```

;          Listing 4 - Measuring Phase Differences
;
;nomod51
;nosymbols
;nolist
#include (reg252.pdf)
$list
;
;          Variables
;
CAPTURE_0      DATA      30H
CAPTURE_1      DATA      32H
PHASE          DATA      34H
;
FLAG_0         BIT        20H.0
FLAG_1         BIT        20H.1
;
ORG 0000H
JMP PCA_INIT
;
ORG 0033H
JMP PCA_INTERRUPT
;
;          Initialize PCA timer
PCA_INIT:      MOV CMOD, #00H          ; Input to PCA timer = 1/12 x Fosc
               MOV CH, #00
               MOV CL, #00
;
;          Initialize Modules 0 & 1 in capture mode
               MOV CCAPM0, #21H      ; Capture positive edges on P1.3
               MOV CCAP0H, #00
               MOV CCAP0L, #00
;
               MOV CCAPM1, #21H      ; Capture positive edges on P1.4
               MOV CCAP1H, #00
               MOV CCAP1L, #00
;
               MOV R0, #0FFH         ; Used for test program only
               MOV R1, #0FFH
;
               CLR FLAG_0           ; Clear test flags
               CLR FLAG_1
;
               SETB EC              ; Enable PCA interrupt
               SETB EA
               SETB CR              ; Turn PCA timer on
;

```

270609-24

```

;
;-----
;
;           Test program only
;
;-----
;
; MAIN:      CALL TOG1                ; Generate two waveforms
;            CALL DELAY2              ; with known phase difference
;            CALL TOG2
;            JMP MAIN
;
; TOG1:      CPL P1.6                  ; These two waveforms are input to
;            CALL DELAY1              ; P1.3 and P1.4
;            RET
;
; TOG2:      CPL P1.5
;            CALL DELAY1
;            RET
;
; DELAY1:    DJNZ R0, $
;            RET
;
; DELAY2:    DJNZ R1, $
;            RET
;-----
;
;           This code assumes only Modules 0 and 1 are being used.
;
;-----
;
; PCA_INTERRUPT:
;            JB CCF0, MODULE_0        ; Determine which module's event
;            JB CCF1, MODULE_1        ; caused the interrupt
;
; MODULE_0:
;            CLR CCF0                  ; Clear Module 0's event flag
;            MOV CAPTURE_0, CCAP0L
;            MOV CAPTURE_0+1, CCAP0H
;            JB FLAG_1, CALCULATE_PHASE ; If capture is complete on Module 1,
;                                       ; go to calculation
;            SETB FLAG_0              ; Signify capture complete on
;            RETI                     ; Module 0
;
; MODULE_1:
;            CLR CCF1                  ; Clear Module 1's event flag
;            MOV CAPTURE_1, CCAP1L
;            MOV CAPTURE_1+1, CCAP1H
;            JB FLAG_0, CALCULATE_PHASE ; If capture is complete on Module 0,
;                                       ; go to calculation
;            SETB FLAG_1              ; Signify capture complete
;            RETI                     ; Module 1
;
; CALCULATE_PHASE:
;            PUSH ACC                  ; This calculation does not have to
;            PUSH PSW                  ; be completed in the interrupt
;            CLR C                      ; service routine
;
;            JB FLAG_0, MOD0_LEADING

```

270609-25

```
                JB FLAG_1, MOD1_LEADING
;
MOD0_LEADING:
    MOV A, CAPTURE_1           ; 16-bit subtraction
    SUBB A, CAPTURE_0
    MOV PHASE, A
    MOV A, CAPTURE_1+1
    SUBB A, CAPTURE_0+1
    MOV PHASE+1, A
    CLR FLAG_0
    JMP EXIT
;
MOD1_LEADING:
    MOV A, CAPTURE_0           ; 16-bit subtraction
    SUBB A, CAPTURE_1
    MOV PHASE, A
    MOV A, CAPTURE_0+1
    SUBB A, CAPTURE_1+1
    MOV PHASE+1, A
    CLR FLAG_1

EXIT:
    POP PSW
    POP ACC
    RETI
;
END
```

270609-26

Listing 5. Software Timer

```

;
;                               Listing 5. Software Timer
;
; $nomod51
; $nosymbols
; $nolist
; $include (reg252.pdf)
; $list
;                               Software Timer mode which interrupts every 20 msec with Fosc = 12 MHz.
;
;
; ORG 0000H
; JMP PCA_INIT
; ORG 0033H
; JMP PCA_INTERRUPT
;
;                               Initialize PCA timer
PCA_INIT:  MOV CMOD, #00H           ; Input to PCA timer = 1/12 x Fosc
;                               MOV CH, #00
;                               MOV CL, #00
;
;                               MOV CCAPM0, #49H           ; Software Timer mode with interrupt
;                               MOV CCAP0L, #LOW(20000)       ; Write to low byte first
;                               MOV CCAP0H, #HIGH(20000)
;
;                               SETB EC                   ; Enable PCA interrupt
;                               SETB EA
;                               SETB CR                   ; Turn PCA timer on
;
; .....
;                               Test program only
;
; WAIT:    JMP $                       ; Wait for PCA interrupt
;          JMP WAIT
;
; .....
;                               This code assumes Module 0 is the only module being used. If
;                               other PCA module's are being used, software must check which
;                               module's event flag caused the interrupt.
;
; PCA_INTERRUPT:
;                               CLR CCF0                   ; Clear module 0's event flag
;                               PUSH ACC
;                               PUSH PSW
;                               CLR EA                   ; Hold off interrupts
;                               MOV A, #LOW(20000)       ; 16-bit add
;                               ADD A, CCAP0L           ; Next match will occur 20,000
;                               MOV CCAP0L, A           ; counts later
;                               MOV A, #HIGH(20000)
;                               ADDC A, CCAP0H
;                               MOV CCAP0H, A
;                               SETB EA
;                               POP PSW
;                               POP ACC
;                               RETI
;
; END

```

270609-27

```
;  
;           Listing 6. High Speed Output (without interrupt)  
$nomod51  
$nosymbols  
$nolist  
$include (reg252.pdf)  
$list  
;  
;  
;           HSO mode without PCA interrupt. Maximum frequency output = 30.5 Hz  
;           at Fosc = 16 MHz.  
;  
;           ORG 0000H  
;           JMP PCA_INIT  
;  
;           Initialize PCA timer  
PCA_INIT:  MOV CMOD, #02H      ; Input to PCA timer = 1/4 x Fosc  
;           MOV CH, #00  
;           MOV CL, #00  
;  
;           MOV CCAPM0, #4CH   ; HSO Mode without interrupt enabled  
;           MOV CCAP0L, #0FFH  ; Write to low byte first  
;           MOV CCAP0H, #0FFH  ; P1.3 will toggle every 65,536 counts  
;                               ; or 16.4 msec at Fosc = 16 MHz  
;                               ; Period = 30.5 Hz  
;           SETB CR           ; Turn PCA timer on  
;  
;           END
```

270609-28

```

;           Listing 7. High Speed Output (with interrupts)

$nomod51
$nosymbols
$nolist
$include (reg252.pdf)
$list
;
;
;           HSO mode with variable frequency. This example outputs a 1KHz signal
;           with Fosc = 16 MHz.
;
;
ORG 0000H
JMP PCA_INIT
;
ORG 0033H
JMP PCA_INTERRUPT
;
;           Initialize PCA timer
PCA_INIT:  MOV CMOD, #02H           ; Input to PCA timer = 1/4 x Fosc
           MOV CH, #00
           MOV CL, #00
;
           MOV CCAPM0, #4DH       ; HSO mode with interrupt enabled
           MOV CCAP0L, #LOW(1000) ; t = 1000 arbitrary
           MOV CCAP0H, #HIGH(1000)
           CLR P1.3
;
           SETB EC                 ; Enable PCA interrupt
           SETB EA
           SETB CR                 ; Turn PCA timer on
;
;-----
;           Test program only
;
WAIT:     JMP $                   ; Wait for PCA interrupt
           JMP WAIT
;-----
;
;           This code assumes Module 0 is the only module being used. If
;           other PCA module's are being used, software must check which
;           module's event flag caused the interrupt.
;
PCA_INTERRUPT:
           CLR CCF0                 ; Clear module 0's event flag
           PUSH ACC
           PUSH PSW
           CLR EA                   ; Hold off interrupts
           MOV A, #LOW(2000)        ; 16-bit add
           ADD A, CCAP0L            ; 2000 counts later P1.3
           MOV CCAP0L, A           ; will toggle
           MOV A, #HIGH(2000)
           ADDC A, CCAP0H
           MOV CCAP0H, A
;
           SETB EA
           POP PSW
           POP ACC
           RETI
;
END

```

270609-29

270609-30


```

;           Listing 8. High Speed Output (Single Pulse)

$nomod51
$nosymbols
$no1ist
$include (reg252.pdf)
$liist
;
;
;           HSO mode generates a single pulse width of 20 usecs with Fosc = 16 MHz.
;
ORG 0000H
JMP PCA_INIT
;
ORG 0033H
JMP PCA_INTERRUPT
;
;           Initialize PCA timer
PCA_INIT:  MOV CMOD, #02H           ; Input to PCA timer = 1/4 x Fosc
           MOV CH, #00
           MOV CL, #00
;
           MOV CCAPM0, #4DH       ; HSO mode with interrupt enabled
           MOV CCAP0L, #LOW(1000) ; t = 1000 arbitrary
           MOV CCAP0H, #HIGH(1000)
           CLR P1.3
;
           SETB EC                 ; Enable PCA interrupt
           SETB EA
           SETB CR                 ; Turn PCA timer on
;
;
;-----
;           Test program only
;
WAIT:      JMP $                   ; Wait for PCA interrupt
           JMP WAIT
;-----
;
;           This code assumes Module 0 is the only module being used. If
;           other PCA module's are being used, software must check which
;           module's event flag caused the interrupt.
;
PCA_INTERRUPT:
           CLR CCF0               ; Clear module 0's event flag
           JNB P1.3, DONE
;
           PUSH ACC
           PUSH PSW
           CLR EA                 ; Hold off interrupts
           MOV A, #LOW(80)        ; 16-bit add
           ADD A, CCAP0L          ; 80 counts later P1.3
           MOV CCAP0L, A         ; will toggle
           MOV A, #HIGH(80)
;-----
           ADDC A, CCAP0H
           MOV CCAP0H, A
           SETB EA
           POP PSW
           POP ACC
           RETI
;
DONE:      MOV CCAPM0, #00H       ; Disable HSO mode
           RETI
END
;-----
270609-31
270609-32
    
```

```

;           Listing 9. Watchdog Timer

$nomod51
$nosymbols
$nolist
$include (reg252.pdf)
$list
;
;
;
ORG 0000H
JMP PCA_INIT
;
;           Initialize PCA timer
PCA_INIT:  MOV CMOD, #00H           ; Input to PCA timer = 1/12 x Fosc
           MOV CH, #00
           MOV CL, #00
;
           MOV CCAPM4, #4CH        ; Module 4 in compare mode
           MOV CCAP4L, #0FFH       ; Write to low byte first
           MOV CCAP4H, #0FFH       ; Before PCA timer counts up to FFFF Hex,
;                                     ; these compare values must be changed
           ORL CMOD, #40H          ; Set the WDTE bit to enable watchdog timer
;
           SETB CR                 ; Turn PCA timer on
;
;-----
;
;           Test program only
;
START:     MOV R1, #120D           ; Delay for approx. 60 msec
           MOV R0, #0FFH
;
MAIN:      DJNZ R0, $              ; Check that watchdog never causes a reset
           DJNZ R1, MAIN
           CALL WATCHDOG
           JMP START
;
;-----
;
WATCHDOG:  CLR EA                 ; Hold off interrupts
           MOV CCAP4L, #00H       ; Next compare value is within
           MOV CCAP4H, CH         ; 255 counts of the current PCA
           SETB EA                 ; timer value
           RET
;
END

```

270609-33

```
;  
;           Listing 10. Pulse Width Modulator  
$nomod51  
$nosymbols  
$nolist  
$include (reg252.pdf)  
$list  
;  
;  
;           PWM mode -- Maximum frequency output = 15.6 KHz with Fosc = 16 Mhz.  
;  
;           ORG 0000H  
;           JMP PCA_INIT  
;  
;           Initialize PCA timer  
PCA_INIT:  SETB P1.3           ; For alternate function  
           MOV CMOD, #02H     ; Input to PCA timer = 1/4 x Fosc  
           MOV CH, #00        ; At 16 MHz, frequency = 15.6 KHz  
           MOV CL, #00  
;  
           MOV CCAPM0, #42H   ; PWM Mode  
           MOV CCAP0L, #00H   ; Write to low byte first  
           MOV CCAP0H, #128D  ; 50 percent duty cycle  
           ; Turn PCA timer on  
;  
;           END
```

270609-34

APPENDIX B

Duty Cycle Calculation

```

$DEBUG

SHORT_DIVISION SEGMENT CODE

EXTRN DATA(PULSE_WIDTH, PERIOD, DUTY_CYCLE)
PUBLIC DUTY_CYCLE_CALCULATION

RSEG SHORT_DIVISION

;-----
;
;          DUTY_CYCLE_CALCULATION
;
;    CALCULATES DUTY_CYCLE = PULSE_WIDTH / PERIOD
;
; Inputs to this routine are 16-bit pulse width and period measurements of
; a rectangular waveform. The output is a 9-bit BCD number representing
; the duty cycle of the waveform. The low 8 bits of the result are
; returned in DUTY_CYCLE. The 9th bit is the carry bit in the PSW. If the
; duty cycle is between 0 and 99 percent, the carry bit is 0 and DUTY_CYCLE
; contains the two BCD digits representing the duty cycle as a percent.
; If the duty cycle is 100 percent, the carry bit is 1 and DUTY_CYCLE
; contains 0.
;
;
; INPUTS: PULSE_WIDTH  2 bytes in externally defined DATA
;         (low byte at PULSE_WIDTH, high byte at PULSE_WIDTH+1)
;
;         PERIOD        2 bytes in externally defined DATA
;         (low byte at PERIOD, high byte at PERIOD+1)
;
; OUTPUT: DUTY_CYCLE   1 byte in externally defined DATA
;
; VARIABLES AND REGISTERS MODIFIED:
;
;     PULSE_WIDTH, DUTY_CYCLE
;     ACC, B, PSW, R2, R3
;
; ERROR EXIT: Exit with OV = 1 indicates PULSE_WIDTH > PERIOD.
;-----

DUTY_CYCLE_CALCULATION:
    MOV     A,PERIOD+1
    CJNE   A,PULSE_WIDTH+1,NOT_EQUAL
    MOV     A,PERIOD
    CJNE   A,PULSE_WIDTH,NOT_EQUAL
  
```

270609-35

```

EQUAL:
    SETB C
    MOV DUTY_CYCLE,#0
    CLR OV
    RET

NOT_EQUAL:
    JNC CONTINUE
    SETB OV
    RET

CONTINUE:
    MOV R2,#8
    MOV DUTY_CYCLE,#0
    MOV R3,#0

TIMES_TWO:
    MOV A,PULSE_WIDTH
    RLC A
    MOV PULSE_WIDTH,A
    MOV A,PULSE_WIDTH+1
    RLC A
    MOV PULSE_WIDTH+1,A
    MOV A,R3
    RLC A
    MOV R3,A

COMPARE:
    CJNE R3,#0,DONE
    MOV A,PULSE_WIDTH+1
    CJNE A,PERIOD+1,DONE
    MOV A,PULSE_WIDTH
    CJNE A,PERIOD,DONE

DONE:
    CPL C

BUILD_DUTY_CYCLE:
    MOV A,DUTY_CYCLE
    RLC A
    MOV DUTY_CYCLE,A
    JNB ACC.0,LOOP_CONTROL

SUBTRACT:
    MOV A,PULSE_WIDTH
    SUBB A,PERIOD
    MOV PULSE_WIDTH,A
    MOV A,PULSE_WIDTH+1
    SUBB A,PERIOD+1
    MOV PULSE_WIDTH+1,A
    MOV A,R3
    SUBB A,#0
    MOV R3,A

LOOP_CONTROL:
    DJNZ R2,TIMES_TWO

```

270609-36

```
FINAL_TIMES_TWO:
  MOV  A,PULSE_WIDTH
  RLC  A
  MOV  PULSE_WIDTH,A
  MOV  A,PULSE_WIDTH+1
  RLC  A
  MOV  PULSE_WIDTH+1,A
  MOV  A,R3
  RLC  A
  MOV  R3,A
FINAL_COMPARE:
  CJNE R3,#0,FINAL_DONE
  MOV  A,PULSE_WIDTH+1
  CJNE A,PERIOD+1,FINAL_DONE
  MOV  A,PULSE_WIDTH
  CJNE A,PERIOD,FINAL_DONE
FINAL_DONE:
  JC   CONVERT_TO_BCD
  MOV  A,DUTY_CYCLE
  ADD  A,#1
  MOV  DUTY_CYCLE,A
  JNC  CONVERT_TO_BCD
  CLR  OV
  RET

CONVERT_TO_BCD:
  MOV  A,DUTY_CYCLE
  MOV  B,#10
  MUL  AB
  XCH  A,B
  SWAP A
  MOV  DUTY_CYCLE,A
  MOV  A,#10
  MUL  AB
  XCH  A,B
  ORL  DUTY_CYCLE,A
  MOV  A,#10
  MUL  AB
  MOV  A,B
  CJNE A,#5,TEST
TEST:  JBC  CY,OUT
  MOV  A,DUTY_CYCLE
  ADD  A,#1
  DA   A
  MOV  DUTY_CYCLE,A
OUT:   RET

END
```

270609-37

APPENDIX C

A map of the Special Function Register (SFR) space is shown in Table A1. Those registers which are new or have new bits added for the 83C51FA and 83C51FB have been **boldfaced**.

Note that not all of the addresses are occupied. Unoccupied addresses are not implemented on the chip.

Read accesses to these addresses will in general return random data, and write accesses will have no effect.

User software should not write 1s to these unimplemented locations, since they may be used in future 8051 family products to invoke new features. In that case the reset or inactive values of the new bits will always be 0, and their active values will be 1.

Table A1. Special Function Register Memory Map and Values After Reset

| | | | | | | | | | |
|----|-------------------------|---------------------------|---------------------------|---------------------------|---------------------------|---------------------------|---------------------------|-----------------------------|----|
| F8 | | CH 00000000 | CCAP0H XXXXXXXX | CCAP1H XXXXXXXX | CCAP2H XXXXXXXX | CCAP3H XXXXXXXX | CCAP4H XXXXXXXX | | FF |
| F0 | * B 00000000 | | | | | | | | F7 |
| E8 | | CL 00000000 | CCAP0L XXXXXXXX | CCAP1L XXXXXXXX | CCAP2L XXXXXXXX | CCAP3L XXXXXXXX | CCAP4L XXXXXXXX | | EF |
| E0 | * ACC 00000000 | | | | | | | | E7 |
| D8 | CCON 00X00000 | CMOD 00XXX000 | CCAPM0 X0000000 | CCAPM1 X0000000 | CCAPM2 X0000000 | CCAPM3 X0000000 | CCAPM4 X0000000 | | DF |
| D0 | * PSW 00000000 | | | | | | | | D7 |
| C8 | T2CON 00000000 | T2MOD XXXXXXXX0 | RCAP2L 00000000 | RCAP2H 00000000 | TL2 00000000 | TH2 00000000 | | | CF |
| C0 | | | | | | | | | C7 |
| B8 | * IP X0000000 | SADEN 00000000 | | | | | | | BF |
| B0 | * P3 11111111 | | | | | | | | B7 |
| A8 | * IE 00000000 | SADDR 00000000 | | | | | | | AF |
| A0 | * P2 11111111 | | | | | | | | A7 |
| 98 | * SCON 00000000 | * SBUF XXXXXXXX | | | | | | | 9F |
| 90 | * P1 11111111 | | | | | | | | 97 |
| 88 | * TCON 00000000 | * TMOD 00000000 | * TL0 00000000 | * TL1 00000000 | * TH0 00000000 | * TH1 00000000 | | | 8F |
| 80 | * P0 11111111 | * SP 00000111 | * DPL 00000000 | * DPH 00000000 | | | | *PCON ** 00XX0000 | 87 |

* = Found in the 8051 core (See 8051 Hardware Description in the Embedded Controller Handbook for explanations of these SFRs).

** = See description of PCON SFR. Bit PCON.4 is not affected by reset.

X = Undefined.