

The Edaq530 hardware documentation

3rd January 2011

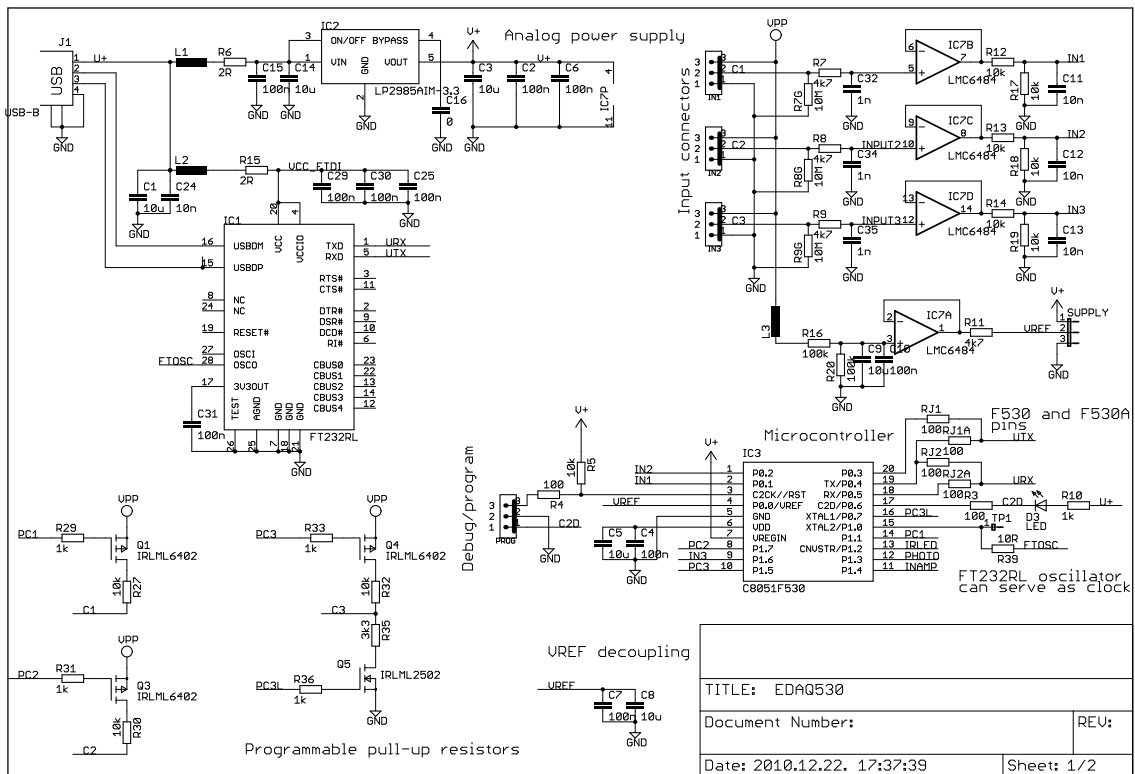


Figure 1: Schematic diagram, page 1.

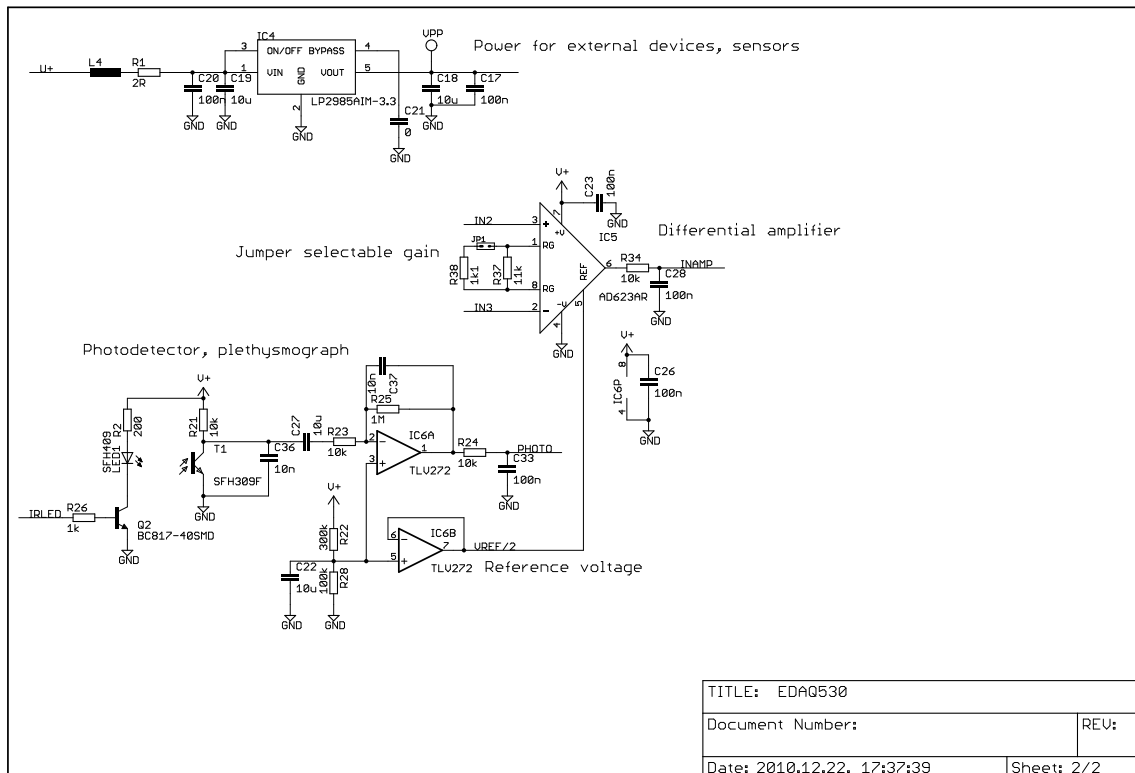


Figure 2: Schematic diagram, page 2.

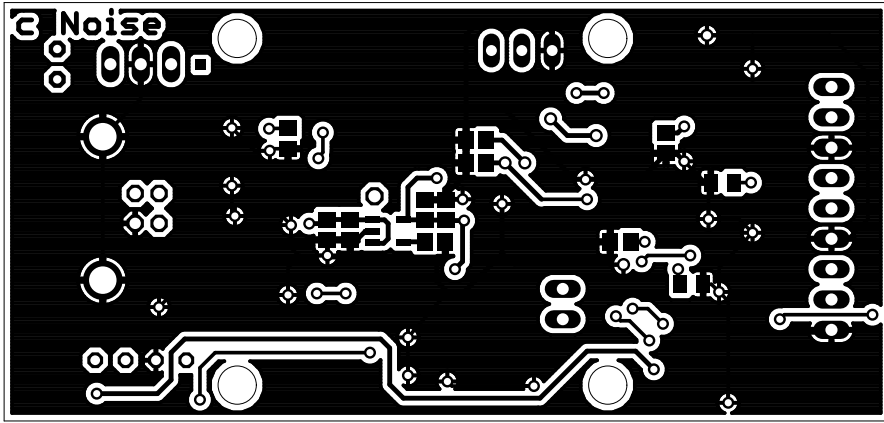


Figure 3: The component side.

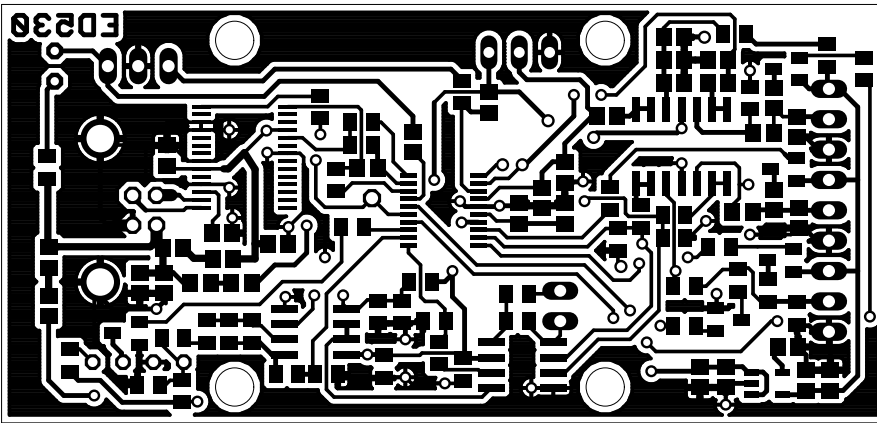


Figure 4: The solder side.

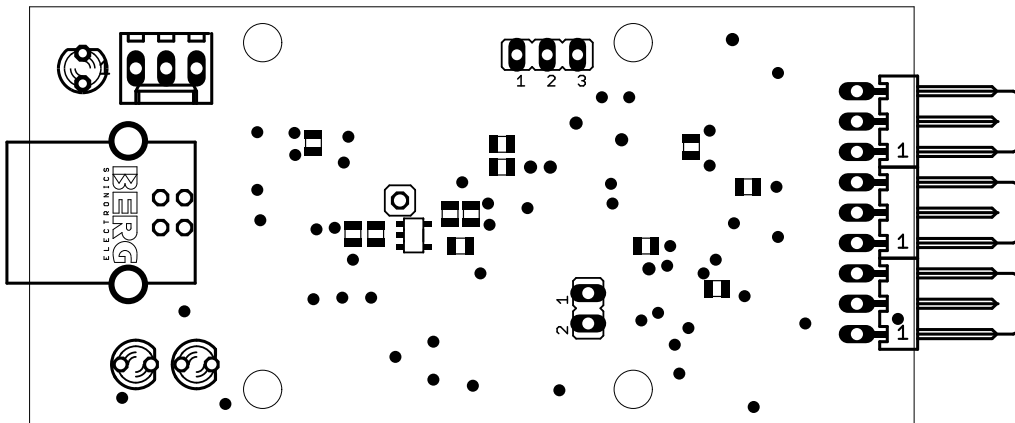


Figure 5: The top silk.

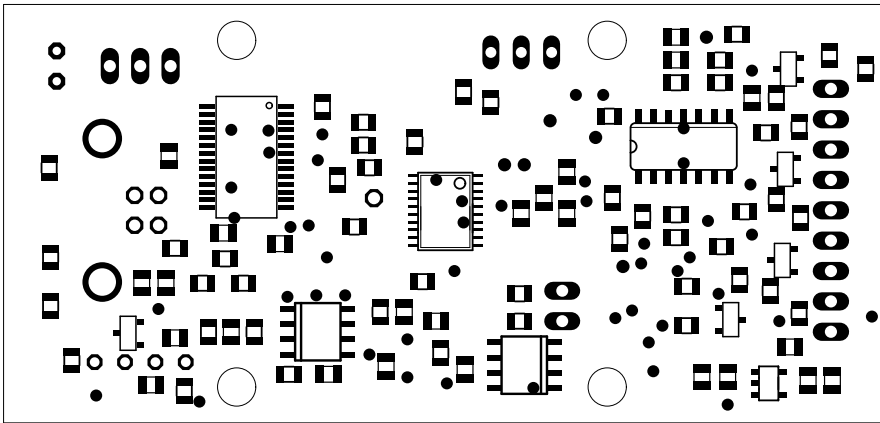


Figure 6: The bottom silk.